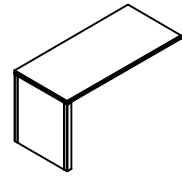
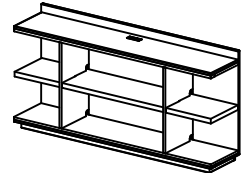


Warning :

- Be sure to check all packing material carefully for small parts, which may have come loose inside the carton during shipment.
- To prevent possible scratches and damage, this furniture **MUST BE ASSEMBLED BY TWO PEOPLE** on a soft surface such as a blanket or carpet.



28033 / 28133 / 28233
Return Desk



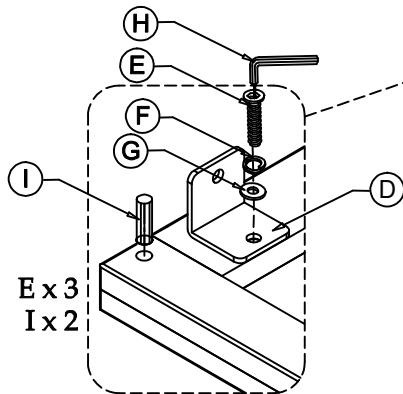
28034 / 28134 / 28234
Return Bookcase

Important Use Information: We recommend using coasters, placemats and trivets when placing hot or cold containers on this item. It is also recommended to quickly cleanup any spills to minimize exposure to moisture. Doing so will prolong the life and look of the item for many years.

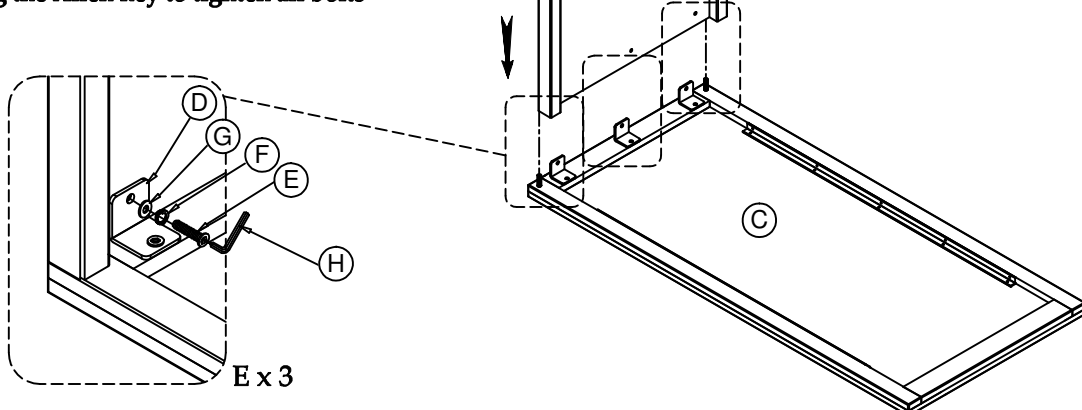
Components and Hardware List

<p>Return Bookcase 1 pc.</p>	<p>End Frame 1 pc.</p>	<p>Desk Top 1 pc.</p>	<p>L-Shaped Angles 3 pcs.</p>	<p>Allen Head Bolt 1/4-20" x 17mm 12 pcs.</p>	<p>Spring Washer 1/4" 12 pcs.</p>	<p>Flat Washer 1/4"x 19 x2mm 12 pcs.</p>
<p>4mm Allen Key 1 pc.</p>	<p>Wood Dowel Ø 10 x 30mm 2 pcs.</p>	<p>Connector Plate 1 pc.</p>				

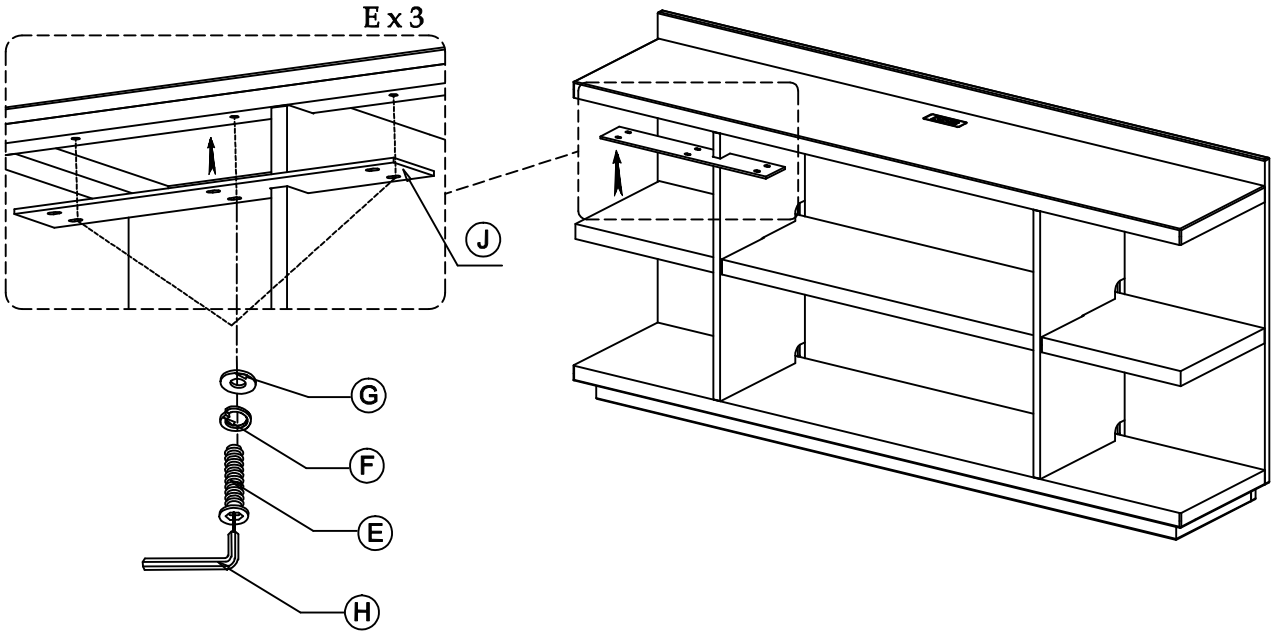
Step 1: Do not fully tighten the bolts



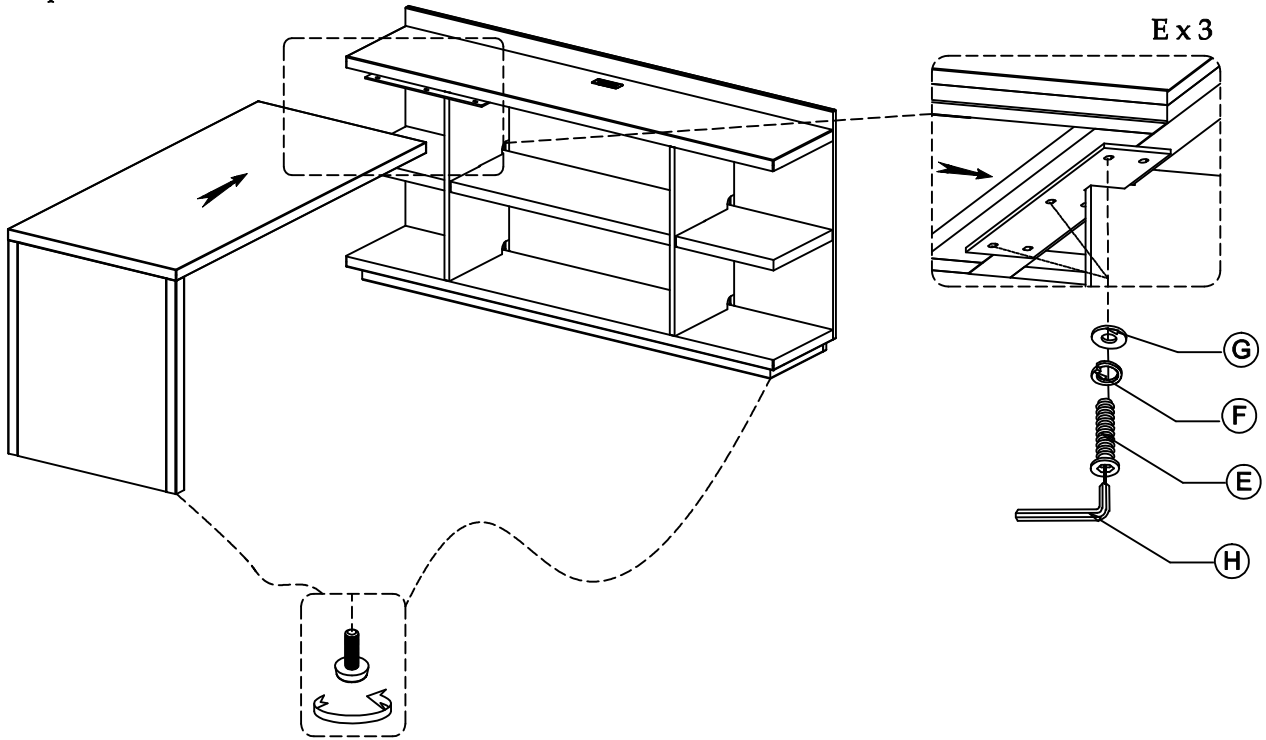
Step 2: Using the Allen key to tighten all bolts



Step 3:



Step 4:



Adjustable leveler (6pcs)